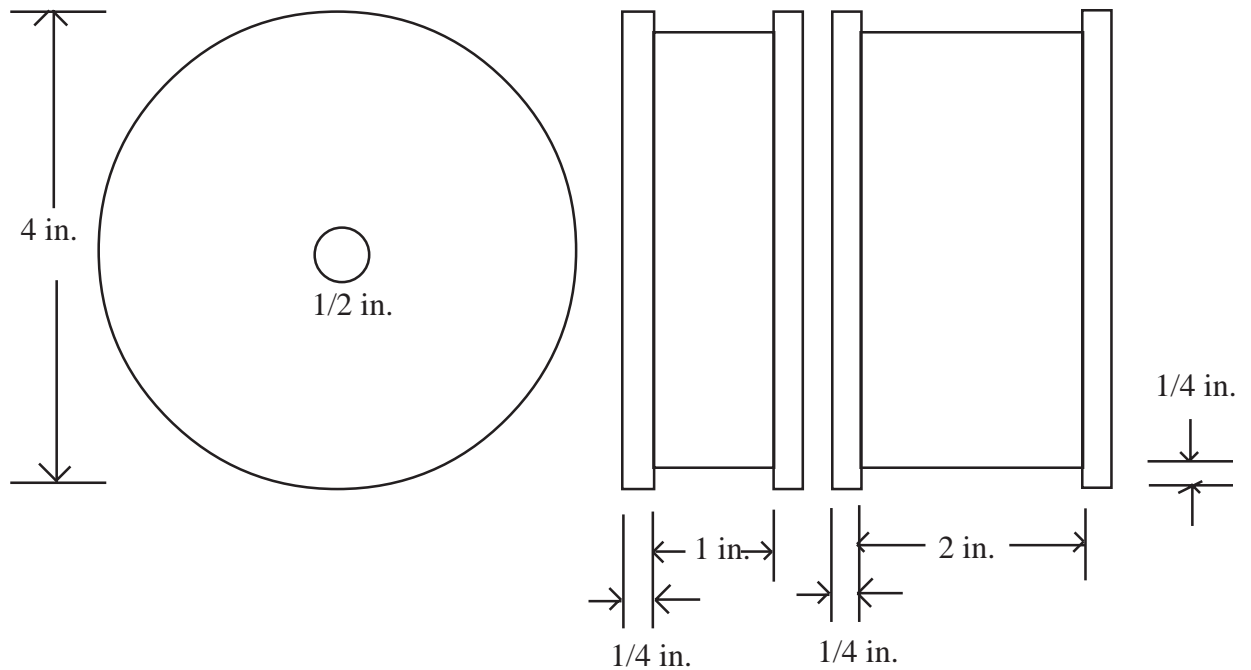


Robot Wheels by Mark Thompson



Here are the measurements:

- 4 wheels: 3 inch diameter by 1 1/2 inch wide
- 4 wheels: 3 inch diameter by 2 1/2 inches wide
- 4 wheels: 4 inch diameter by 1 1/2 inch wide
- 4 wheels: 4 inch diameter by 2 1/2 inches wide
- Additional wheels for underside are:*
- 8 wheels: 3 inch diameter by 2 1/2 inches wide
- 8 wheels: 3 inch diameter by 1 1/2 inches wide

